

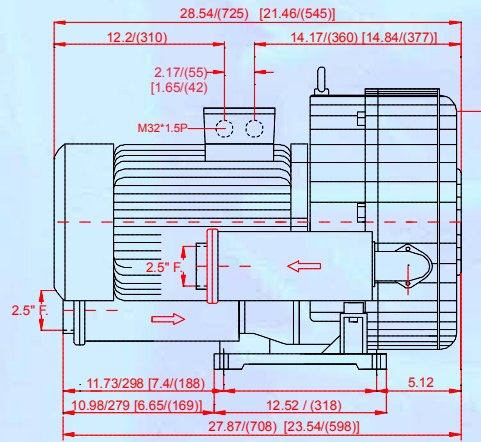
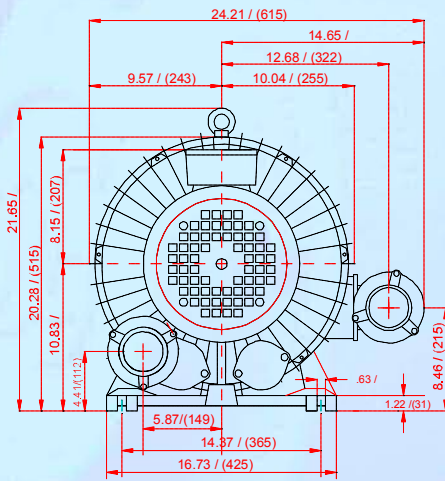
# 2-STAGE REGENERATIVE BLOWERS (RING COMPRESSORS) MODELS DG830-16, 17, 26, 27, 36 & 37

## CONSTRUCTION FEATURES

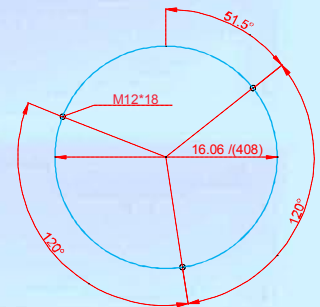
- Fine grain cast aluminum impeller and casings for maximum heat dissipation
- C-UL-US registered for service in Canada and the USA
- IP-55 rated (TEFC) motors
- Mountable in either horizontal or vertical positions
- Inlet and outlet silencers for quiet operation
- 2-1/2" F. NPT connection size



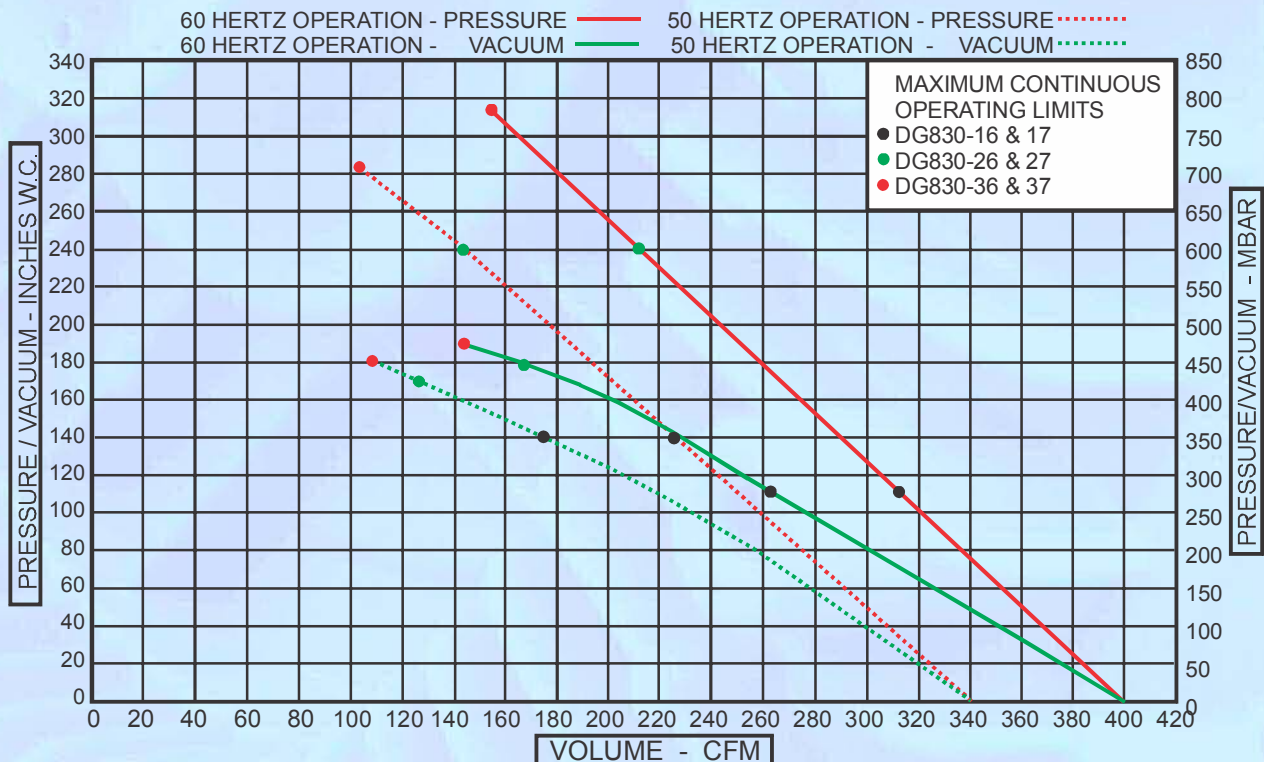
## DIMENSIONS - INCHES (MM) MODELS DG830-2\* & 3\* MODELS DG830-1\* = [ ]



VERTICAL MOUNT LAG CENTRES  
M12\*18 (X3 THREADED LUGS)



NOTE: LAG HOLES ARE METRIC THREAD SIZE



# ELECTRICAL SPECIFICATIONS AND CAPACITIES



MODEL NUMBER	PH	HZ	VOLTAGE	RATED kW	MAX AMPS	* MAX. PRESS. IN. W.C.	* MAX VAC IN. W.C.	MAX FLOW CFM	WT. LBS	NOISE LEVEL dBA
DG830-16	3 3	50 60	200-240/345-415 220-275/380-480	7.5 8.6	31.5 / 18.2 37 / 21.3	140 116	140 116	339 399	247	76 81
DG830-17	3	60	575	8.6	14.1	116	116	399	247	81
DG830-26	3 3	50 60	200-240/345-415 220-275/380-480	13 15	46.8 / 27 52 / 30	240 240	172 180	339 399	313	76 81
DG830-27	3	60	3/60/575	15	19	240	180	399	313	81
DG830-36	3	50 60	200-240/345-415 220-275/380-480	20 22	66.7/38.6 76 / 44	281 313	180 188	339 399	352	76 81
DG830-37	3	60	3/60/575	22	28	313	188	399	350	81

\* Maximum operating pressure and vacuum levels are based on optimum supply voltage. Low (or high) voltage supply may reduce the achievable pressure/vacuum levels while remaining within nameplate amperage limitations.

## RECOMMENDED OPTIONAL ACCESSORIES

Inlet filter/silencer provides 10 micron filtration for blower and process protection. Replaceable paper cartridge (optional polyester element or filtration ratings). 3" M. NPT connection.  
Model FS-230P-300



Inlet strainer provides basic protection for the blower against ingestion of damaging particles. Washable 100 mesh stainless steel screen and plastic 2-1/2" M. NPT connection.  
Model P75-2.5N-100



Pressure Relief Valve for installation in the discharge piping for pressure applications, is required to protect the blower from operating at excessive pressure and/or allowing constant pressure operation.  
Model PR-9



In-line vacuum filter for vacuum systems or remote air intake for pressure. Replaceable 10 micron paper cartridge (optional polyester element).  
Model CSL-850-250HC  
Model CSL-234P-300



Magnehelic pressure gauge may be used for pressure, vacuum or differential pressures determined by the connections used.



Model 2150 - Range 0 to 150" W.C.  
Model 2210 - Range 0 to 10 PSIG

Exhaust mufflers for vacuum applications and in-line silencers for inlet or exhaust application.  
Model B-168, 2" Exh. Muffler (2 may be required)  
Model VFY-028A In-line silencer  
2-1/2" F. NPT Connections



Vacuum Relief valve required for vacuum applications to protect the blower from operating at excessive vacuum which can cause overheating and premature bearing failure. Connection is 2" F. NPT.  
Model VV-9.



Check valves prevent back-flow during blower off periods where installations include multiple blowers. Size according to system piping to prevent excessive pressure drop.  
Model 5002A-2.5, 2-1/2" conn.  
Model 5002A-3", 3" connection



Vibration isolation mounts for horizontal or vertical mounting of blower.  
Model 4C912 Pads (Horizontal mounting)  
Model KMN5XK87 (Vertical mounting - M12 studs both ends).



Stainless Steel flexible connector for easy connection to your system to prevent transfer of vibration. Standard connections are 2.5" M. NPT x 24" long. (optional sizes available).  
Model No. - 250-24PP-SM

