

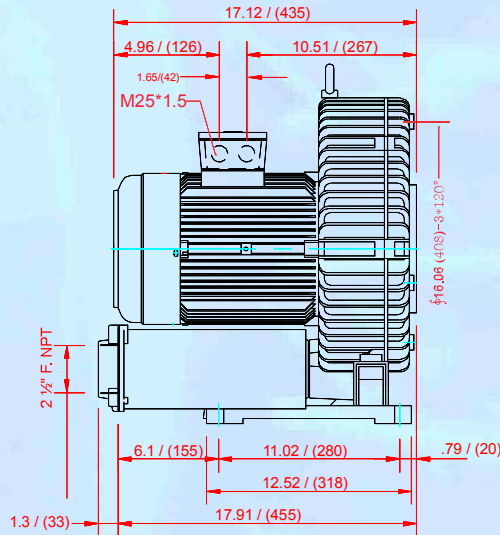
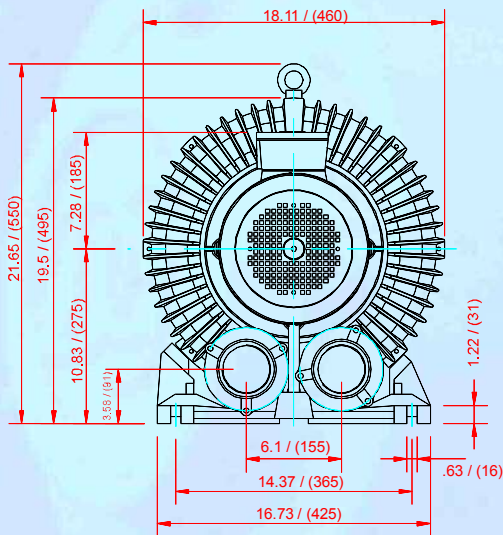
MODEL DG800-16, 17, 26 & 27 REGENERATIVE BLOWERS (RING COMPRESSORS)

CONSTRUCTION FEATURES

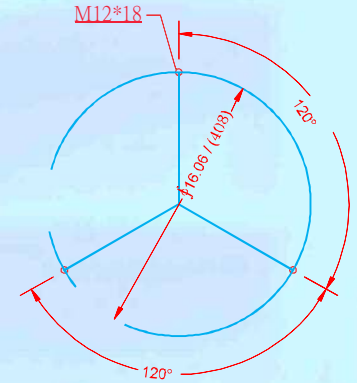
- Fine grain cast aluminum impeller and casings for maximum heat dissipation
- C-UL-US registered for service in Canada and the USA
- IP-55 rated (TEFC) motors
- Mountable in either horizontal or vertical positions
- Inlet and outlet silencers for quiet operation
- 2-1/2" F. NPT connection size



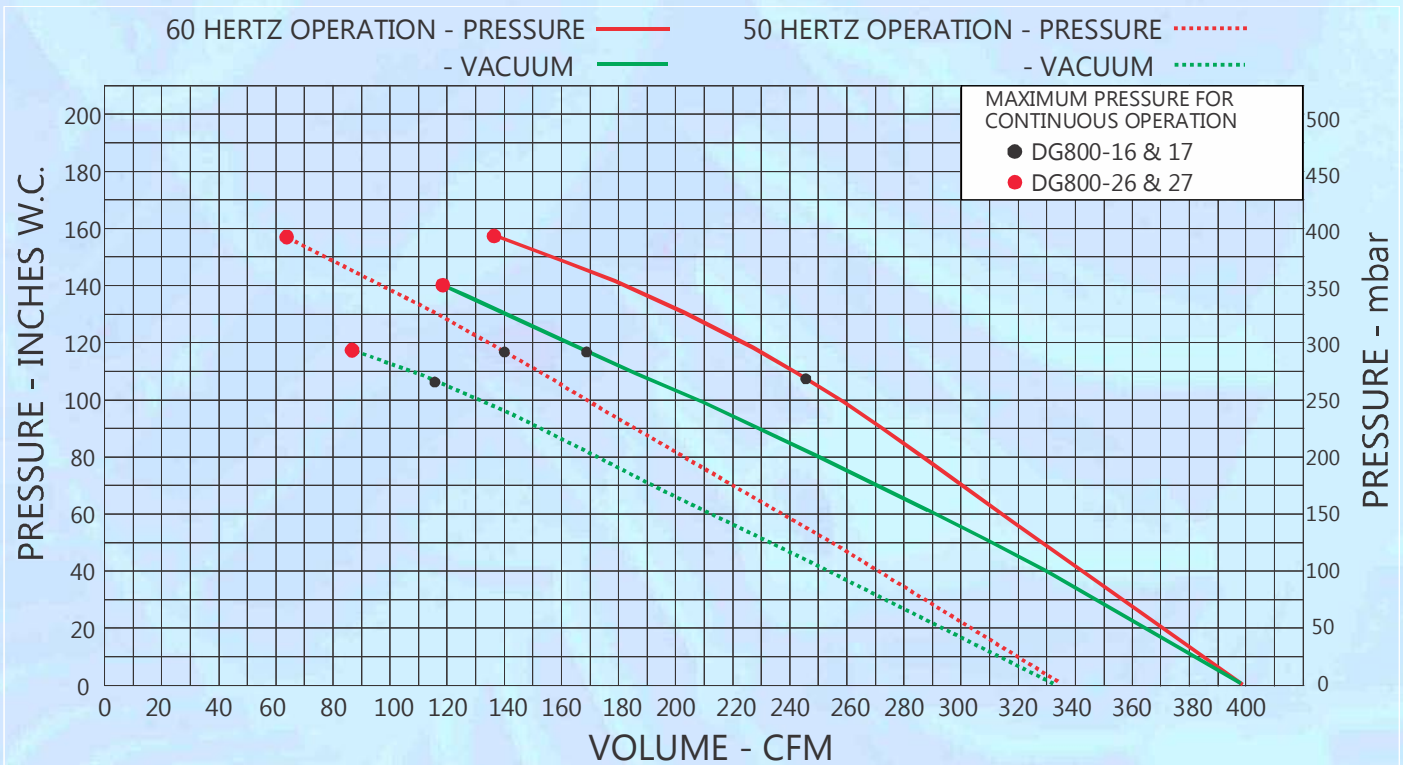
DIMENSIONS - INCHES (MM)



VERTICAL MOUNT LAG CENTRES
M12*18 (X3 THREADED LUGS)



NOTE: LAG HOLES ARE METRIC THREAD SIZE



ELECTRICAL SPECIFICATIONS AND CAPACITIES



MODEL NUMBER	PH	HZ	VOLTAGE	RATED kW	MAX AMPS	* MAX. PRESS. IN. W.C.	* MAX VAC IN. W.C.	MAX FLOW CFM	WT. LBS	NOISE LEVEL dBA
DG800-16	3 3	50 60	200-240/345-415 220-275/380-480	5.5 6.3	25.3 / 14.6 29.5 / 17	116 108	108 116	335 399	170	74 79
DG800-17	3	60	575	6.3	10.56	108	116	399	170	79
DG800-26	3 3	50 60	200-240/345-415 220-275/380-480	7.5 8.6	31.5 / 18.2 37 / 21.3	156 158	118 140	335 399	194	74 79
DG800-27	3	60	3/60/575	8.6	14.1	158	140	399	194	79

* Maximum operating pressure and vacuum levels are based on optimum supply voltage. Low (or high) voltage supply may reduce the achievable pressure/vacuum levels while remaining within nameplate amperage limitations.

RECOMMENDED OPTIONAL ACCESSORIES

Inlet strainer provides basic protection for the blower against ingestion of damaging particles. Washable 100 mesh stainless steel screen and plastic 2-1/2" M. NPT connection.



Model P75-2.5N-100

Magnetic motor starter with overload protection, start, stop and reset buttons. Optional features may be specified. VFD drives are also available upon request. Specify voltage for Model determination.



Inlet filter/silencer provides 10 micron filtration for blower and process protection. Replaceable paper cartridge (optional polyester element or filtration ratings). 3" M. NPT connection.
Model FS-230P-300



In-line vacuum filter for vacuum systems or remote air intake for pressure. Replaceable 10 micron paper cartridge (optional polyester element).
Model CSL-850-250HC
Model CSL-234P-300



Pressure Relief Valve for installation in the discharge piping for pressure applications, is required to protect the blower from operating at excessive pressure and/or allowing constant pressure operation.
Model PR-9



Exhaust mufflers for vacuum applications and in-line silencers for inlet or exhaust application.
Model B-168, 2" Exh. Muffler (2 may be required)
Model VFY-028A In-line silencer
2-1/2" F. NPT Connections



Magnehelic pressure gauge may be used for pressure, vacuum or differential pressures determined by the connections used.



Model 2150 - Range 0 to 150" W.C.
Model 2210 - Range 0 to 10 PSIG

Check valves prevent back-flow during blower off periods where installations include multiple blowers. Size according to system piping to prevent excessive pressure drop.
Model 5002A-2.5, 2-1/2" conn.
Model 5002A-3", 3" connection



Vacuum Relief valve required for vacuum applications to protect the blower from operating at excessive vacuum which can cause overheating and premature bearing failure. Connection is 2" F. NPT.
Model VV-9.



Stainless Steel flexible connector for easy connection to your system to prevent transfer of vibration. Standard connections are 2.5" M. NPT x 24" long. (optional sizes available).
Model No. - PARRAP 2.5" x 24"



Vibration isolation mounts for horizontal or vertical mounting of blower.
Model 4C912 Pads (Horizontal mounting)
Model KMN5XK87 (Vertical mounting - M12 studs both ends).



Special panels with electronic digital display pressure switches can be used to create an alarm condition or shut the blower down. Designed and assembled to meet custom requirements.

