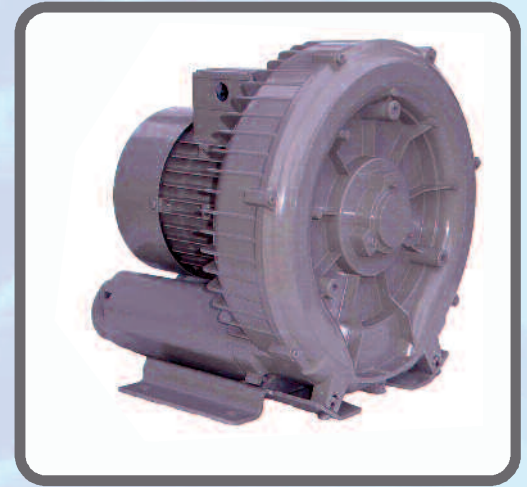


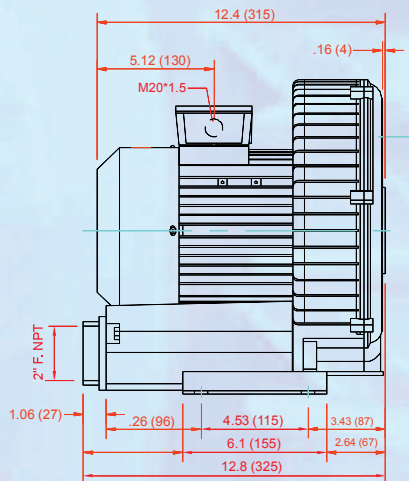
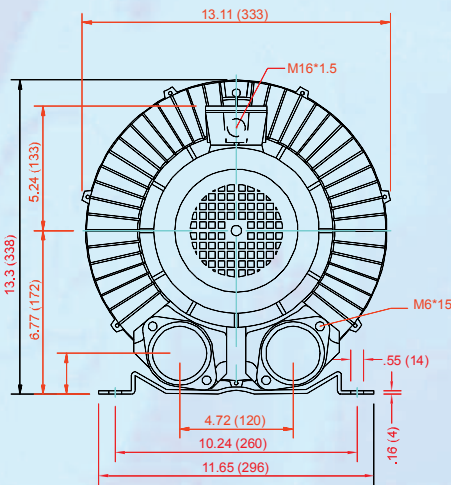
MODEL DG400-21, through 47 REGENERATIVE BLOWERS (RING COMPRESSORS)

CONSTRUCTION FEATURES

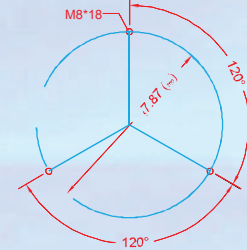
- Fine grain cast aluminum impeller and casings for maximum heat dissipation
- C-UL-US registered for service in Canada and the USA
- IP-55 rated (TEFC) motors
- Mountable in either horizontal or vertical positions
- Inlet and outlet silencers for quiet operation
- 2" F. NPT connection size



DIMENSIONS - INCHES (MM)



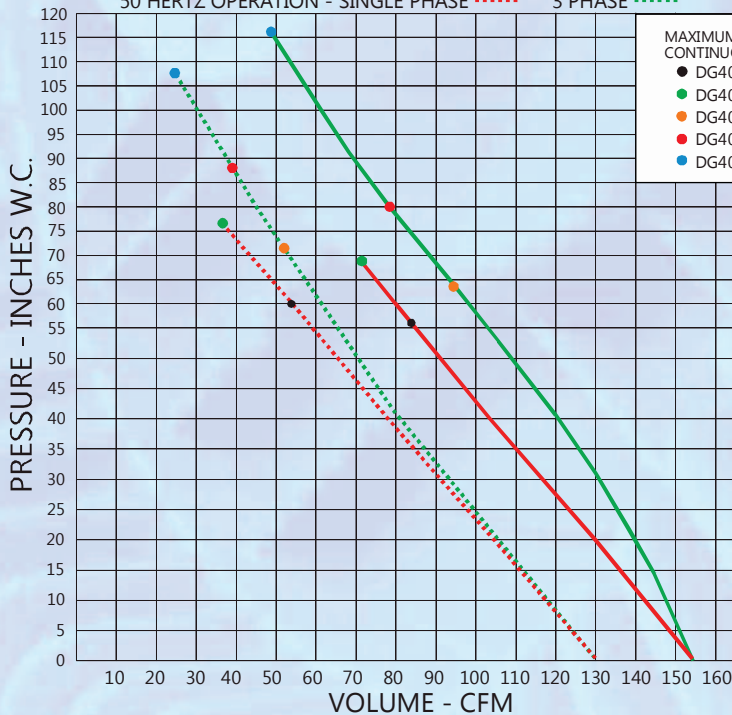
VERTICAL MOUNT LAG CENTRES
M8*18 (X3 THREADED LUGS)



NOTE: LAG HOLES ARE METRIC THREAD SIZE

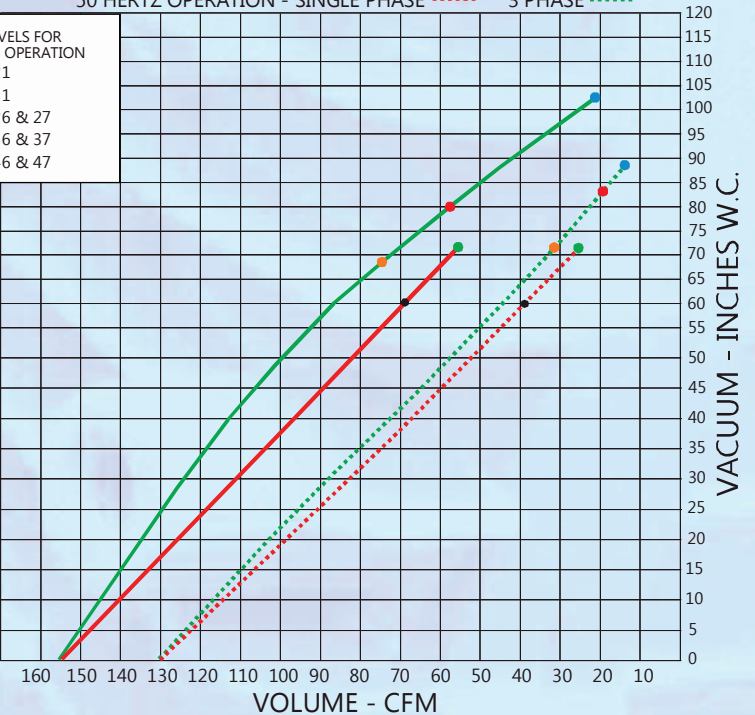
PRESSURE

60 HERTZ OPERATION - SINGLE PHASE (Red solid line) 3 PHASE (Green solid line)
50 HERTZ OPERATION - SINGLE PHASE (Red dotted line) 3 PHASE (Green dotted line)



VACUUM

60 HERTZ OPERATION - SINGLE PHASE (Red solid line) 3 PHASE (Green solid line)
50 HERTZ OPERATION - SINGLE PHASE (Red dotted line) 3 PHASE (Green dotted line)



ELECTRICAL SPECIFICATIONS AND CAPACITIES



MODEL NUMBER	PH	HZ	VOLTAGE	RATED kW	MAX AMPS	* MAX. PRESS. IN. W.C.	* MAX VAC IN. W.C.	MAX FLOW CFM	WT. LBS	NOISE LEVEL dBA
DG400-21	1 1	50 60	100-120/200-240 110-120/220-240	1.1 1.3	17 / 8.5 19 / 9.6	60 56	60 60	130 155	51.7	70 73
DG400-31	1	50 60	100-120/200-240 110-120/220-240	1.5 1.75	20 / 10 22.8/11.4	76 68	72 72	130 155	57.2	70 73
DG400-26	3 3	50 60	200-240/345-415 220-275/380-480	.9 1.1	4.2/2.4 4.5/2.6	72 64	72 68	130 155	48.4	70 73
DG400-27	3	60	575	1.1	1.8	64	68	155	48.4	73
DG400-36	3	50 60	200-240/345-415 220-275/380-480	1.75 1.9	6.7/3.9 7 / 4	88 80	84 80	130 155	50.6	70 73
DG400-37	3	60	575	1.9	3.1	80	80	155	50.6	73
DG400-46	3	50	200-240/345-415 220-275/380-480	2.2 2.6	7.8/4.5 9.5/5.5	108 116	88 102	130 155	57.2	70 73
DG400-47	3	60	575	2.6	3.6	116	102	155	57.2	73

* Maximum operating pressure and vacuum levels are based on optimum supply voltage. Low (or high) voltage supply may reduce the achievable pressure/vacuum levels while remaining within nameplate amperage limitations.

RECOMMENDED OPTIONAL ACCESSORIES

Inlet strainer provides basic protection for the blower against ingestion of damaging particles. Washable 100 mesh stainless steel screen and plastic 2" M. NPT connection.



Model P50-2N-100

In-line vacuum filter for vacuum systems or remote air intake for pressure. Replaceable 10 micron paper cartridge (optional polyester element). Model CSL-850-200HC Model CSL-850-250HC



Inlet filter/silencer provides 10 micron filtration for blower and process protection. Replaceable paper cartridge (optional polyester element or filtration ratings). 2.5" M. NPT connection. Model FS-30P-250



Exhaust mufflers for vacuum applications and in-line silencers for inlet or exhaust application. Model B-168, 2" Exh. Muffler (2 may be required) Model VFY-026A In-line silencer 2" F. NPT Connections



Pressure Relief Valve for installation in the discharge piping for pressure applications, is required to protect the blower from operating at excessive pressure and/or allowing constant pressure operation. Model PR-13



Check valves prevent back-flow during blower off periods where installations include multiple blowers. Size according to system piping to prevent excessive pressure drop. Model 5002A-2, 2" conn. Model 5002A-2.5, 2-1/2" conn.



Magnehelic pressure gauge may be used for pressure, vacuum or differential pressures determined by the connections used.



Model 2150 - Range 0 to 150" W.C.
Model 2210 - Range 0 to 10 PSIG

Stainless Steel flexible connector for easy connection to your system to prevent transfer of vibration. Standard connections are 2" M. NPT x 24" long. (optional sizes available). Model No. - PARRAP 2" x 24"



Vacuum Relief valve required for vacuum applications to protect the blower from operating at excessive vacuum which can cause overheating and premature bearing failure. Connection is 1-1/2" F. NPT. Model VR-13.



Vibration isolation mounts for horizontal or vertical mounting of blower. Model 4C912 Pads (Horizontal mounting) Model KMN5XK75 (Vertical mounting - M8 studs both ends).

