

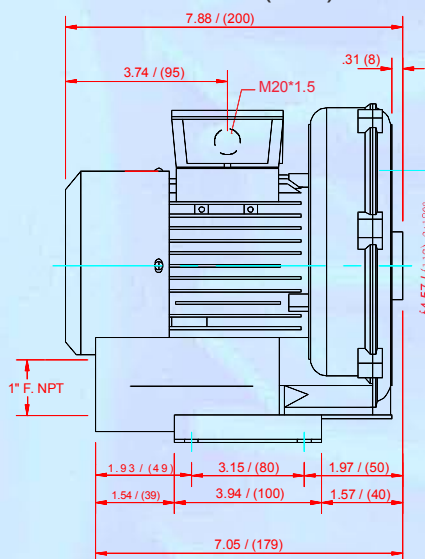
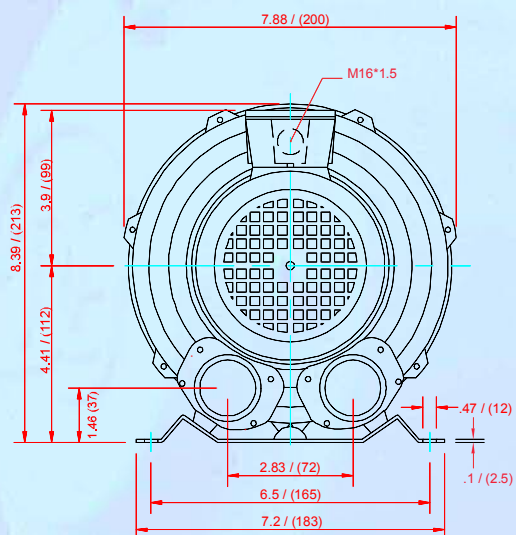
# MODEL DG100-11, 16 & 17 REGENERATIVE BLOWERS (RING COMPRESSORS)

## CONSTRUCTION FEATURES

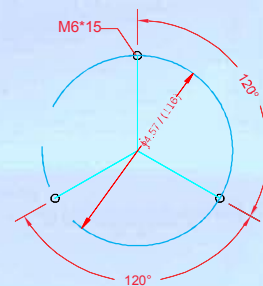
- Fine grain cast aluminum impeller and casings for maximum heat dissipation
- C-UL-US registered for service in Canada and the USA
- IP-55 rated (TEFC) motors
- Mountable in either horizontal or vertical positions
- Inlet and outlet silencers for quiet operation
- 1" F. NPT connection size



## DIMENSIONS - INCHES (MM)



VERTICAL MOUNT LAG CENTRES  
M6\*15 (X3 THREADED LUGS)



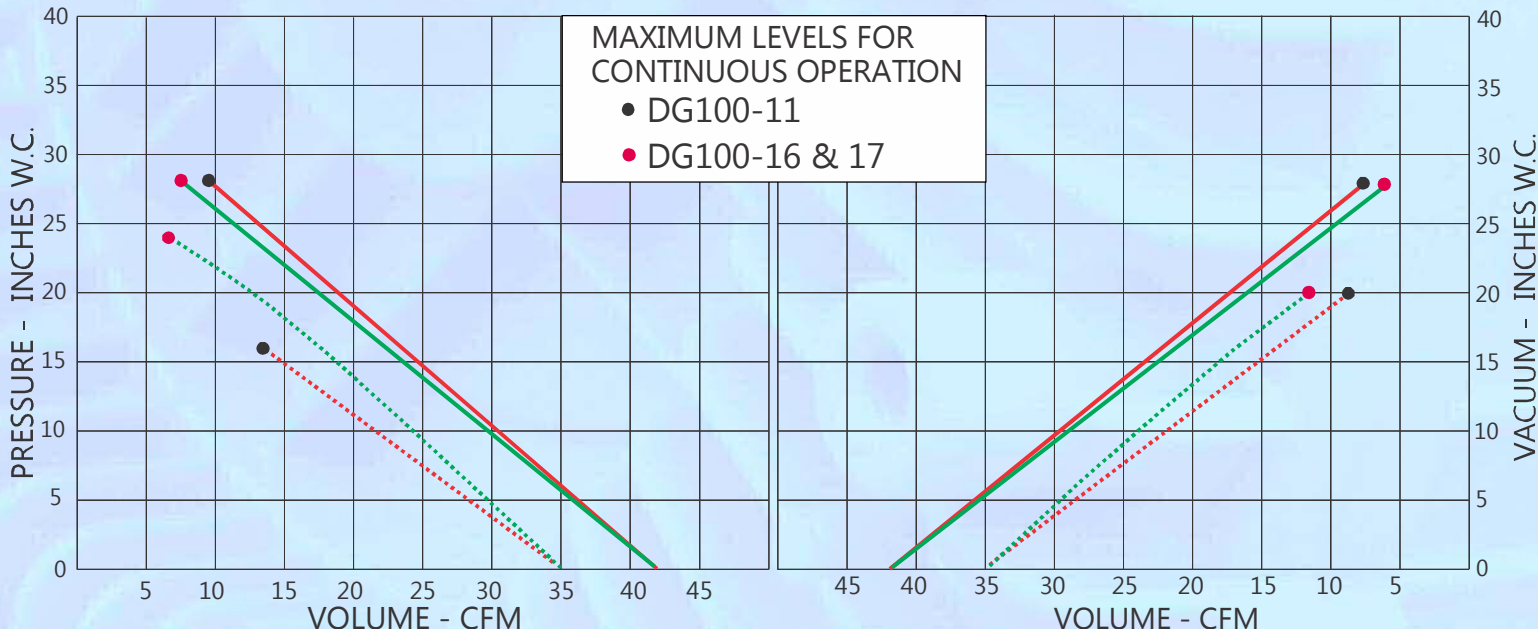
NOTE: LAG HOLES ARE METRIC THREAD SIZE

### PRESSURE

60 HERTZ OPERATION - SINGLE PHASE (red solid line) 3 PHASE (green solid line)  
50 HERTZ OPERATION - SINGLE PHASE (red dotted line) 3 PHASE (green dotted line)

### VACUUM

60 HERTZ OPERATION - SINGLE PHASE (red solid line) 3 PHASE (green solid line)  
50 HERTZ OPERATION - SINGLE PHASE (red dotted line) 3 PHASE (green dotted line)



## ELECTRICAL SPECIFICATIONS AND CAPACITIES

MODEL NUMBER	PH	HZ	VOLTAGE	kW	MAX AMPS	* MAX. PRESS. INCHES W.C.	* MAX VAC INCHES W.C.	MAX FLOW CFM	WT. LBS	NOISE LEVEL dBA
DG100-11	1	50	100-120/200-240	.18	2.5/1.25	16	20	35	15	52
	1	60	110-120/220-240	.2	2.55/1.2	28	28	42.3		
DG100-16	3	50	200-240/345-415	.18	.9 / .5	24	20	35	15	52
		60	220-275/380-480	.2	1.2 / .69	28	28	42.3		
DG100-17	3	60	575	.2	.4	28	28	42.3	15	55

\* Maximum operating pressure and vacuum levels are based on optimum supply voltage. Low (or high) voltage supply may reduce the achievable pressure/vacuum levels while remaining within nameplate amperage limitations.

## RECOMMENDED OPTIONAL ACCESSORIES

Inlet strainer provides basic protection for the blower against ingestion of damaging particles. Washable 100 mesh stainless steel screen and metal 1" F. NPT connection.

Model SS-20



In-line vacuum filter for vacuum systems or remote air intake for pressure. Replaceable 10 micron paper cartridge (optional polyester element). Model CSL-842-105HC Model CSL-842-125HC



Inlet filter/silencer provides 10 micron filtration for blower and process protection. Replaceable paper cartridge (optional polyester element or filtration ratings). 1" M. NPT connection. Model FS-18P-100



Exhaust mufflers for vacuum applications and in-line silencers for inlet or exhaust application.

Model B-128, 1.5" Exh. Muffler  
Model VFY-025A In-line silencer  
1.5" F. NPT Connections



Pressure Relief Valve for installation in the discharge piping for pressure applications, is required to protect the blower from operating at excessive pressure and/or allowing constant pressure operation. Model PR-10



Check valves prevent back-flow during blower off periods where installations include multiple blowers. Size according to system piping to prevent excessive pressure drop. Model 5002A-1, 1" conn. Model 5002A-1.5, 1.5" conn.



Magnehelic pressure gauge may be used for pressure, vacuum or differential pressures determined by the connections used.

Model 2150 - Range 0 to 150" W.C.



Stainless Steel flexible connector for easy connection to your system to prevent transfer of vibration. Standard connections are 1" M. NPT x 24" long. (optional sizes available). Model No. - PARRAP 1" x 24"



Vacuum Relief valve required for vacuum applications to protect the blower from operating at excessive vacuum which can cause overheating and premature bearing failure. Connection is 1-1/2" F. NPT. Model VR-10.



Vibration isolation mounts for horizontal or vertical mounting of blower. Model 4C912 Pads (Horizontal mounting) Model KMN5XK87 (Vertical mounting - M6 studs both ends).

